

THIS DRAWING IS UNPUBLISHED.

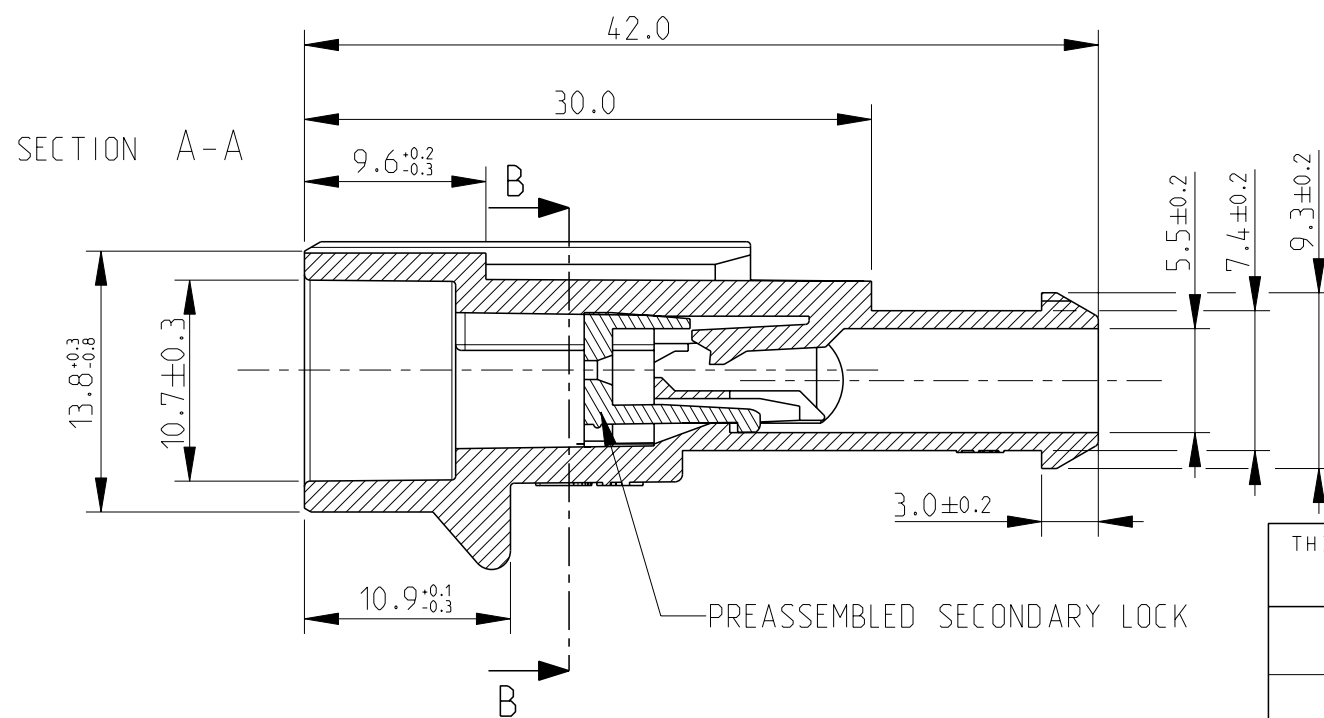
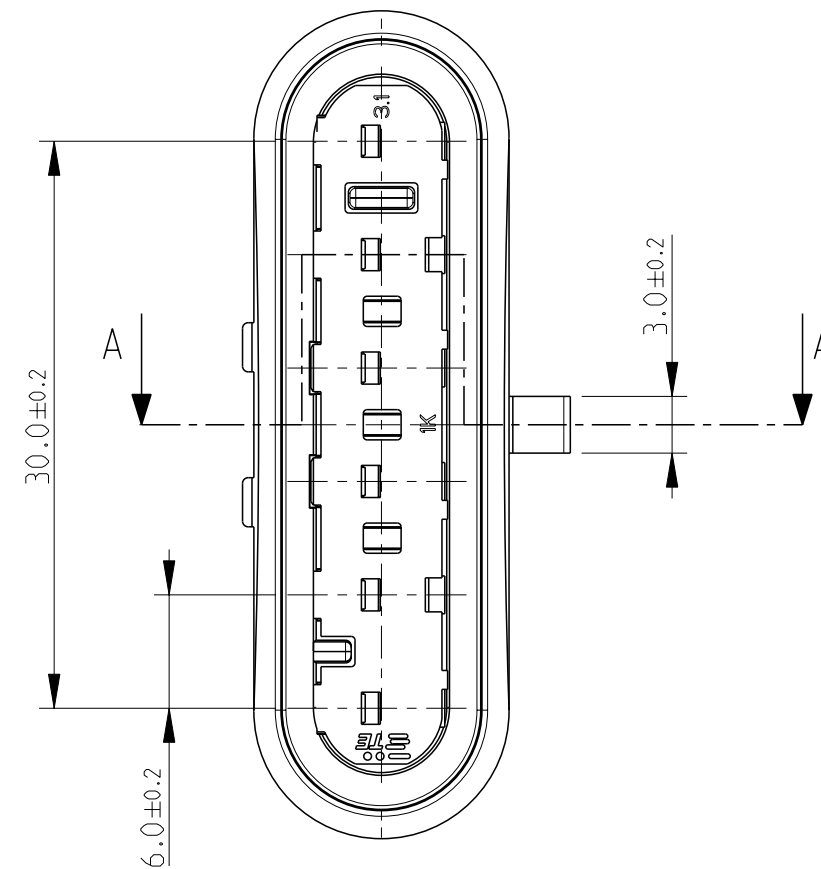
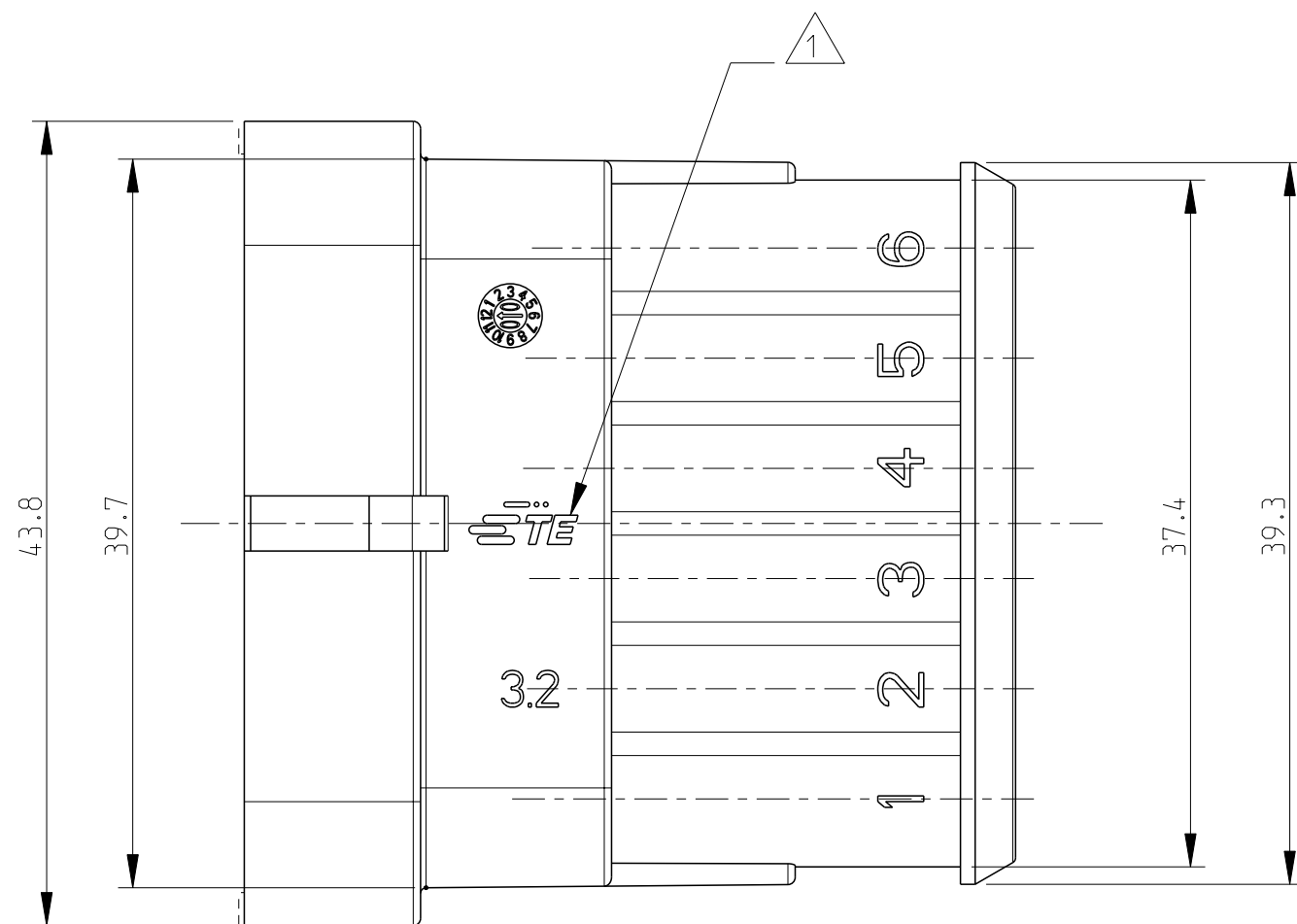
RELEASED FOR PUBLICATION

20

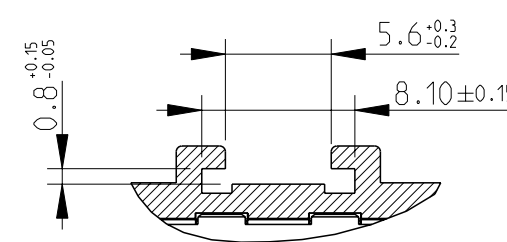
REVISIONS

© COPYRIGHT 20 BY - ALL RIGHTS RESERVED.

P	LTR	DESCRIPTION	DATE	DWN	APVD
	C3	REVISED PER ECO-17-009774	06SEP2017	M.G.	M.G.


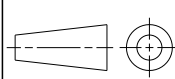


PART. SECTION B-B



HSG: WHITE SEC. LOCK: WHITE	PA66-GF UL94-V2 ACC. TO IEC 60335-1	A	1745084-1
HSG: GRAY SEC. LOCK: RED	PA66-GF	C	282108-2
HSG: BLACK SEC. LOCK: RED	PA66-GF	C	282108-1
FINISH/COLOR	MATERIAL	REV	PART NUMBER


 TE CONNECTIVITY TRADE MARK,
 (IN ALTERNATIVE: "AMP" LOGO, OR "
 
 Tyco Electronics " LOGO)

THIS DRAWING IS A CONTROLLED DOCUMENT.		DWN C. BERTINI 02-1990	 TE Connectivity	
DIMENSIONS: mm		CHK A. BRUNI 02-1990		
TOLERANCES UNLESS OTHERWISE SPECIFIED:		APVD -	NAME AMP SUPERSEAL 1.5 SRS. 6 POSITIONS TAB ASS'Y	
		PRODUCT SPEC 108-20090	-	
MATERIAL - SEE TABLE		APPLICATION SPEC 412-20000	SIZE A3	CAGE CODE -
FINISH - SEE TABLE		WEIGHT 8.9g	DRAWING NO C-282108	RESTRICTED TO -
		CUSTOMER DRAWING	SCALE 5:2	SHEET 1 OF 1
				REV C3